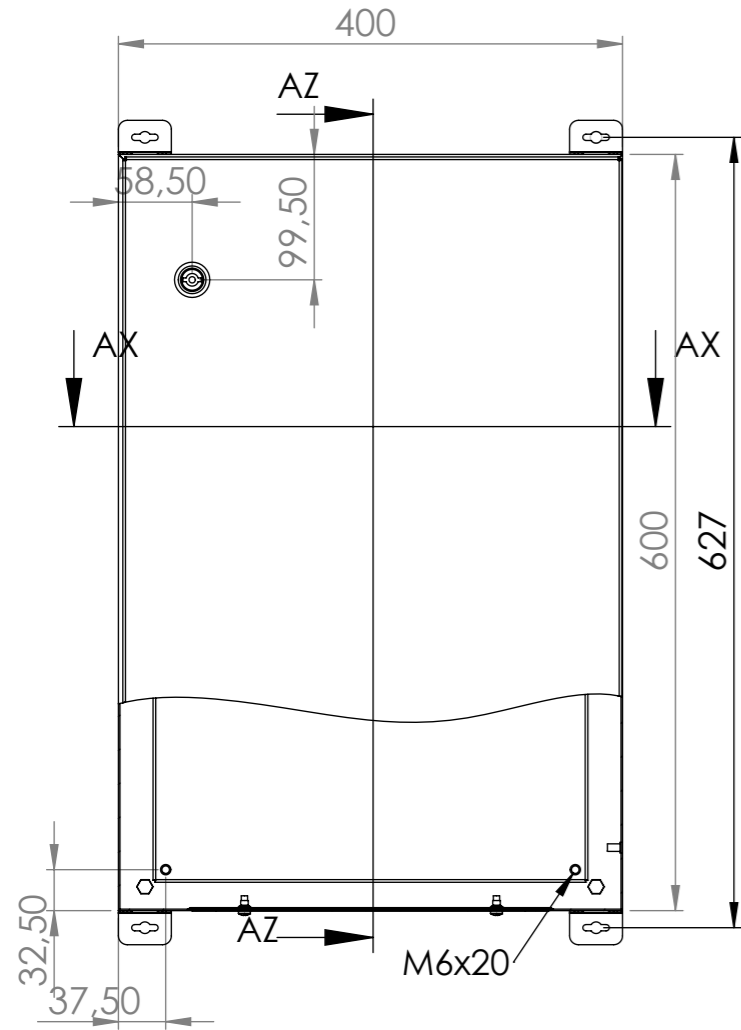
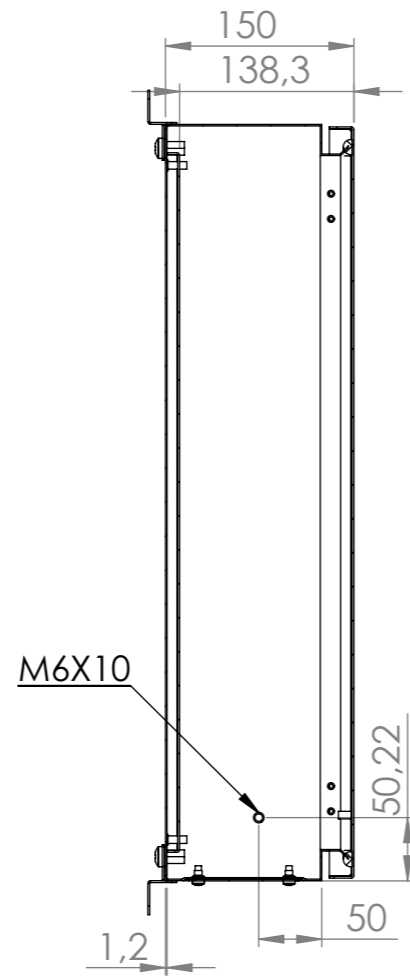


Front view

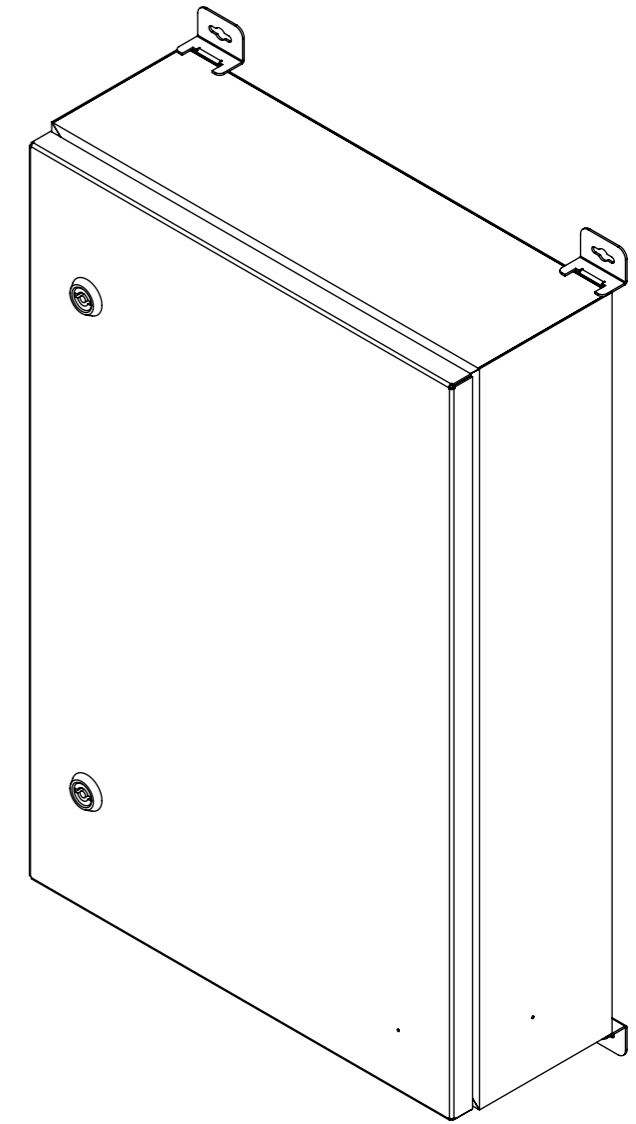
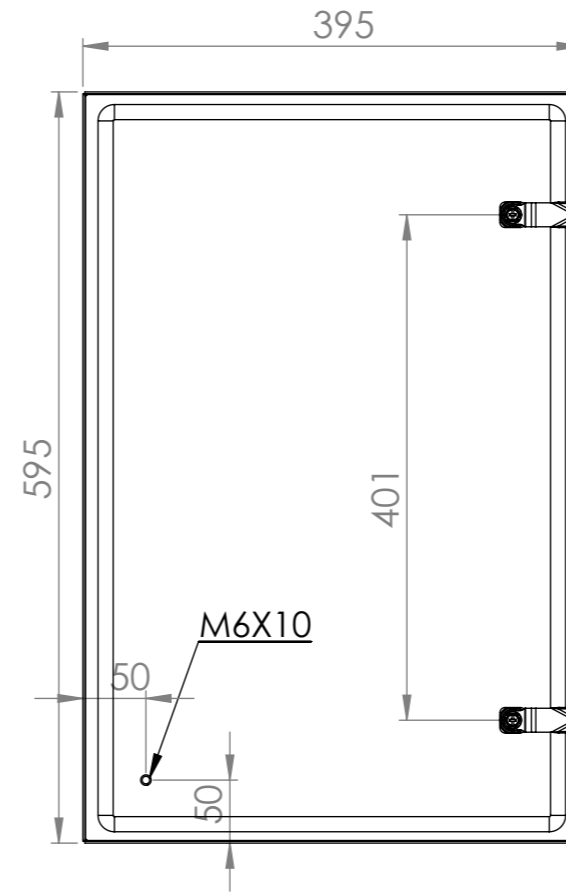


Sectional side view



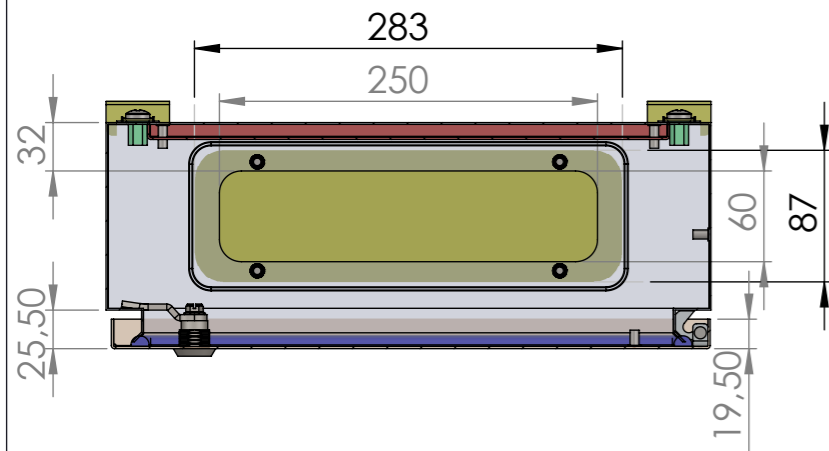
SECTION AZ-AZ
ÖLÇEK 1 : 6

Inside door view



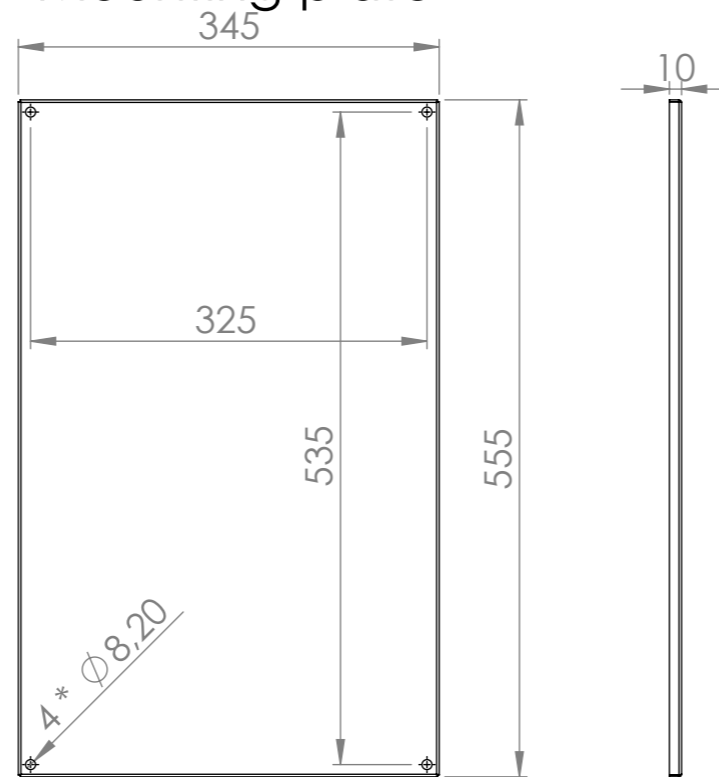
60 * 40 * 15

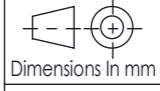
Sectional top view



SECTION AX-AX

Mounting plate



FIBOX		 Dimensions in mm SCALE: 1:1	DESCRIPTION	STEEL CABINET SPEC:EN62208
TOLERANCE	(+,-)0,5 MM	MATERIAL PAINTED MILD STEEL PAINT CODE RAL 7035 WRINKLE	TITLE CAB MS 604015	
DESIGNER	EKREM DEMİREL	SIGNATURE	DATE	DWG NO
CHECKED				Pag. A4
		THICKNESS	BODY:1,2 mm-DOOR:1,5 mm-M.P.:1,5 mm GLV	